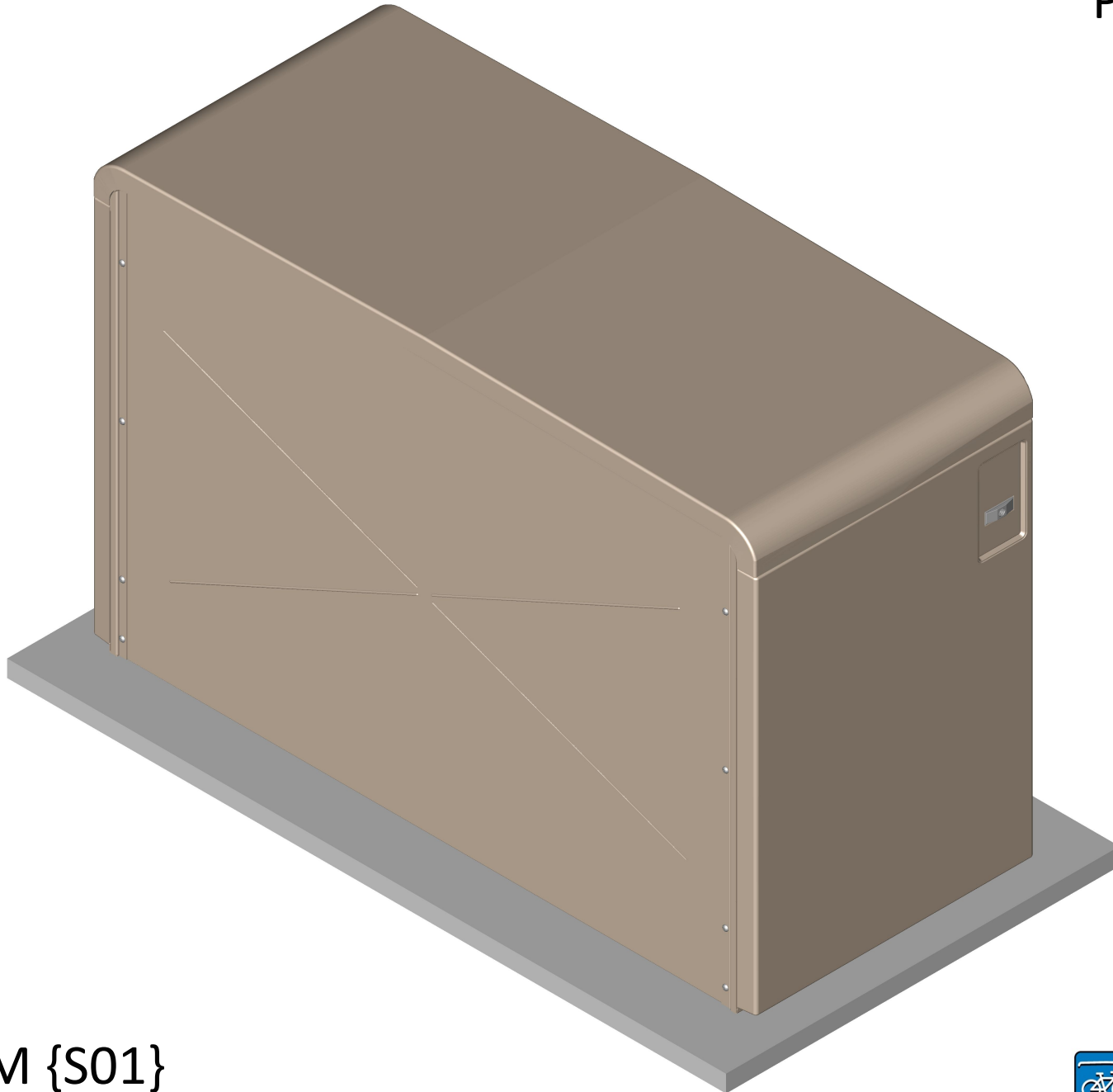
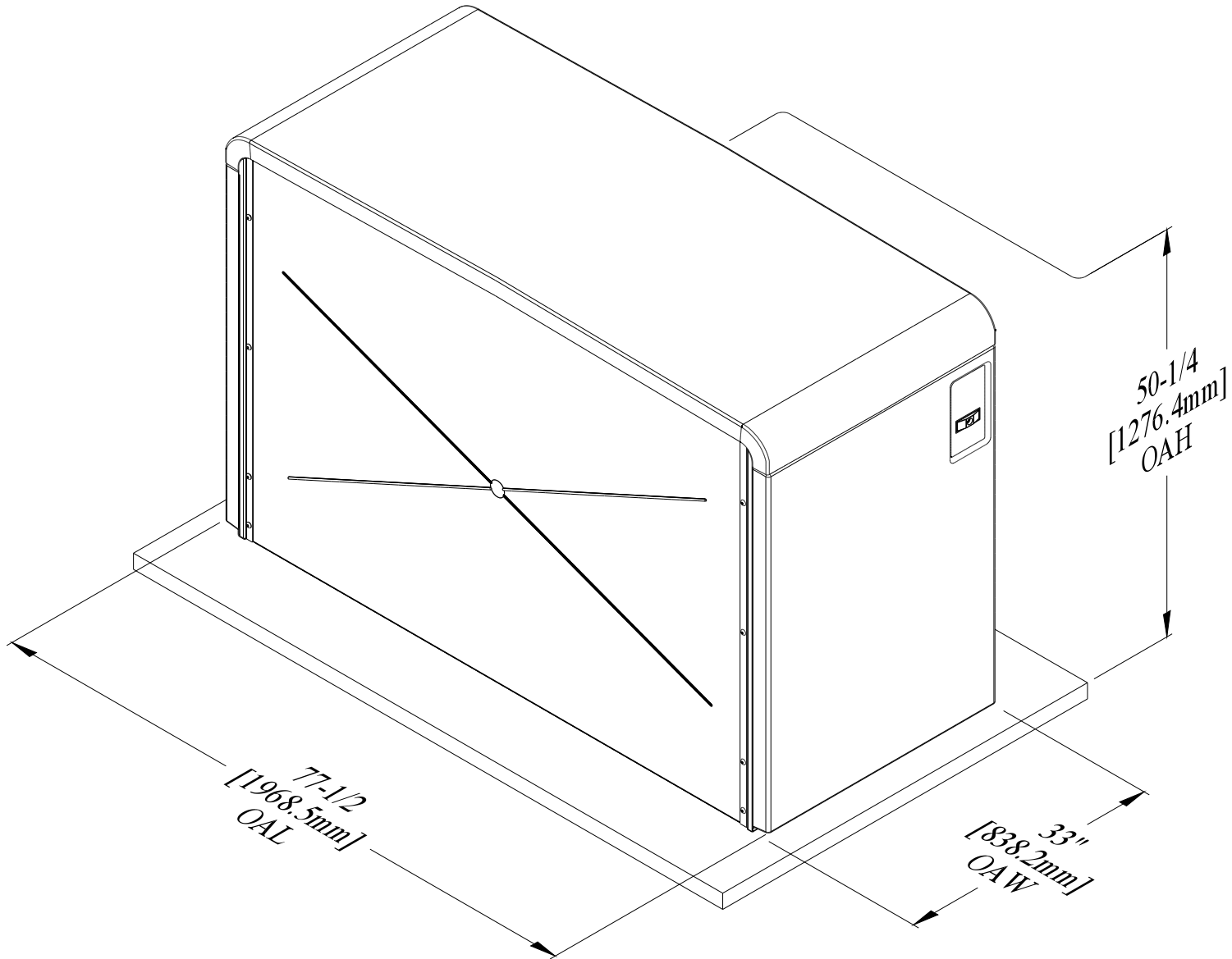


Part #19504



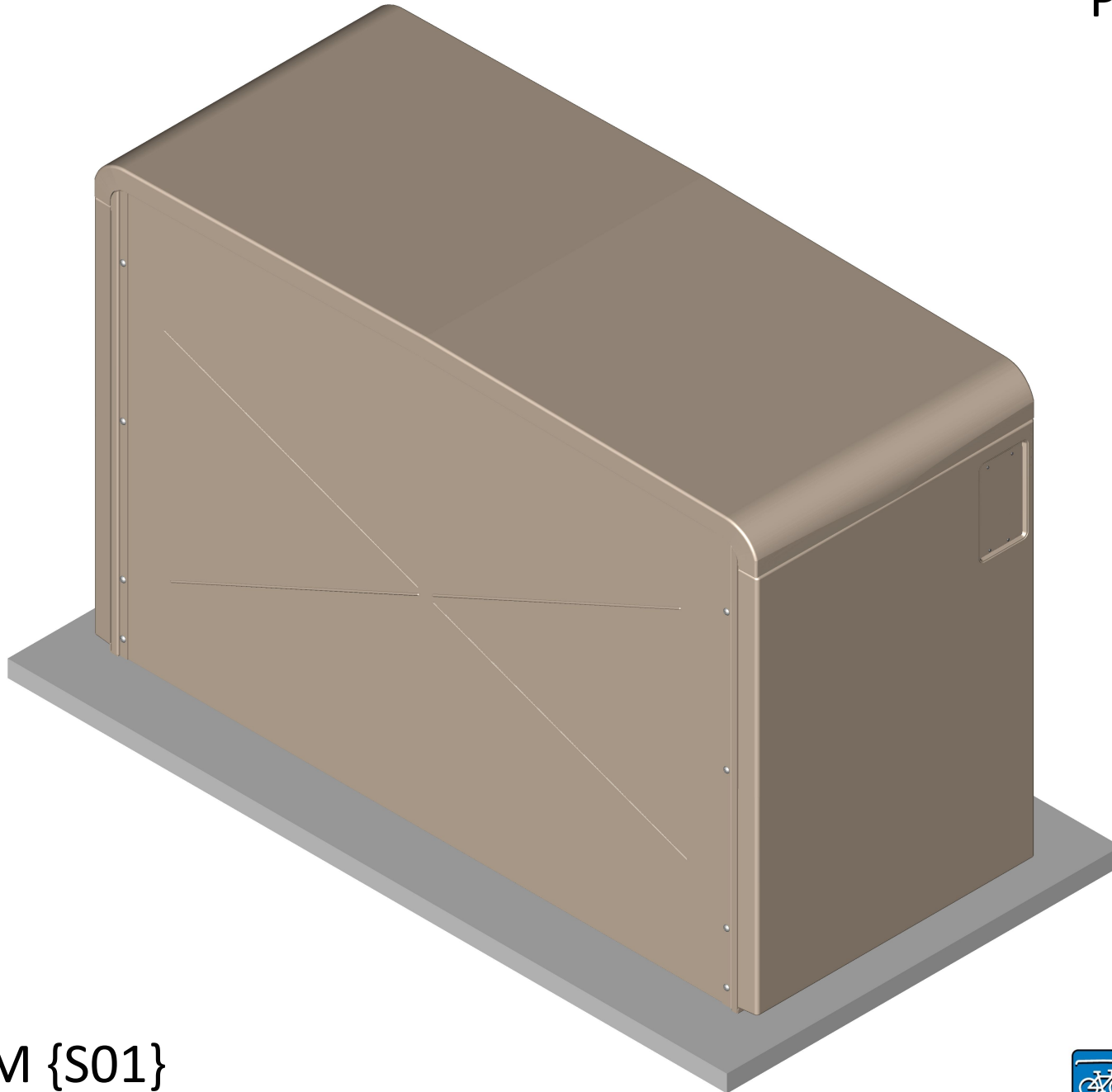
EcoPark SM {S01}
{1-Bike} Standard Locker {Front}

Part #19504



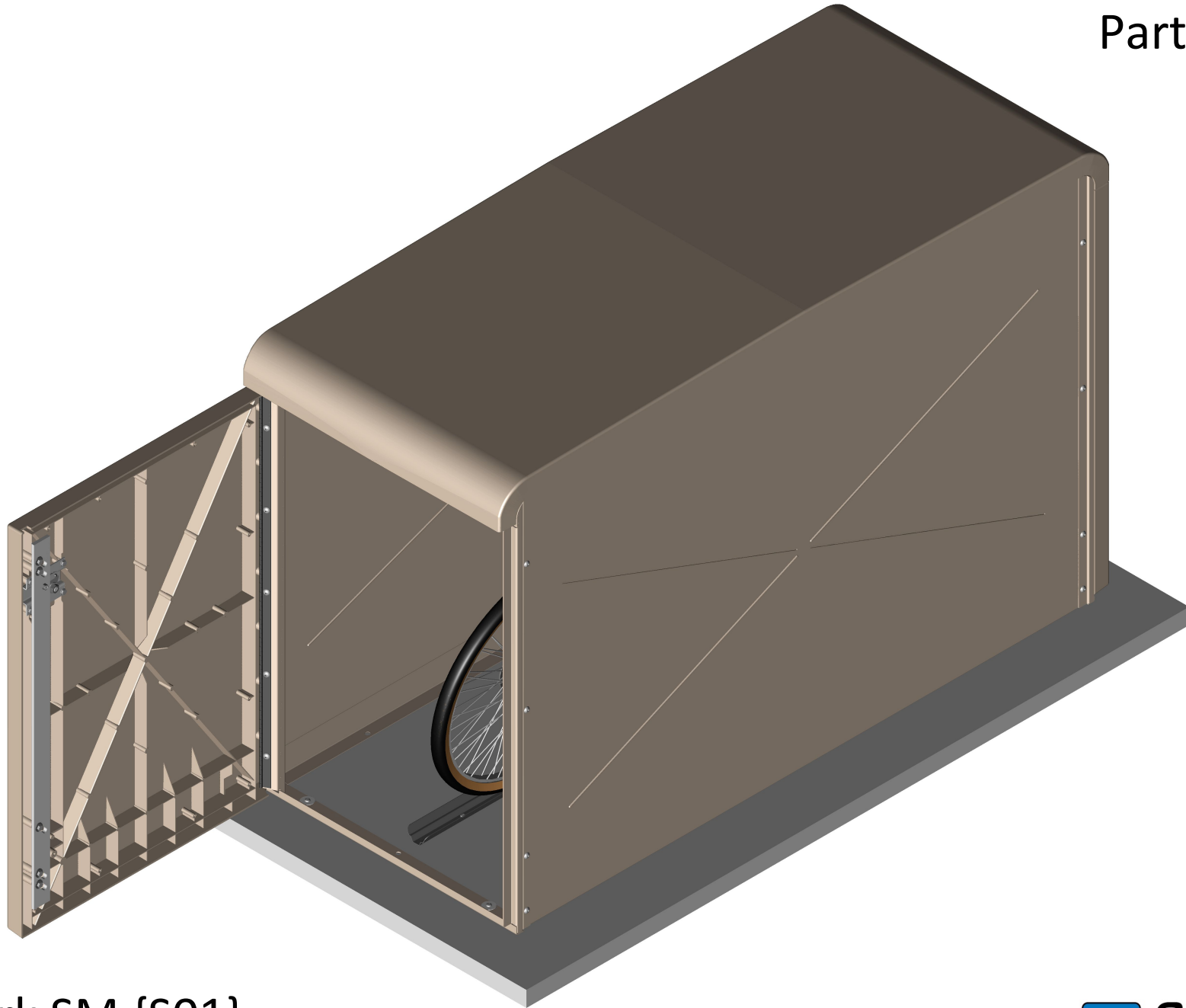
EcoPark SM {S01}
{1-Bike} Standard Locker {Dims}

Part #19504



EcoPark SM {S01}
{1-Bike} Standard Locker {Back}

Part #19504



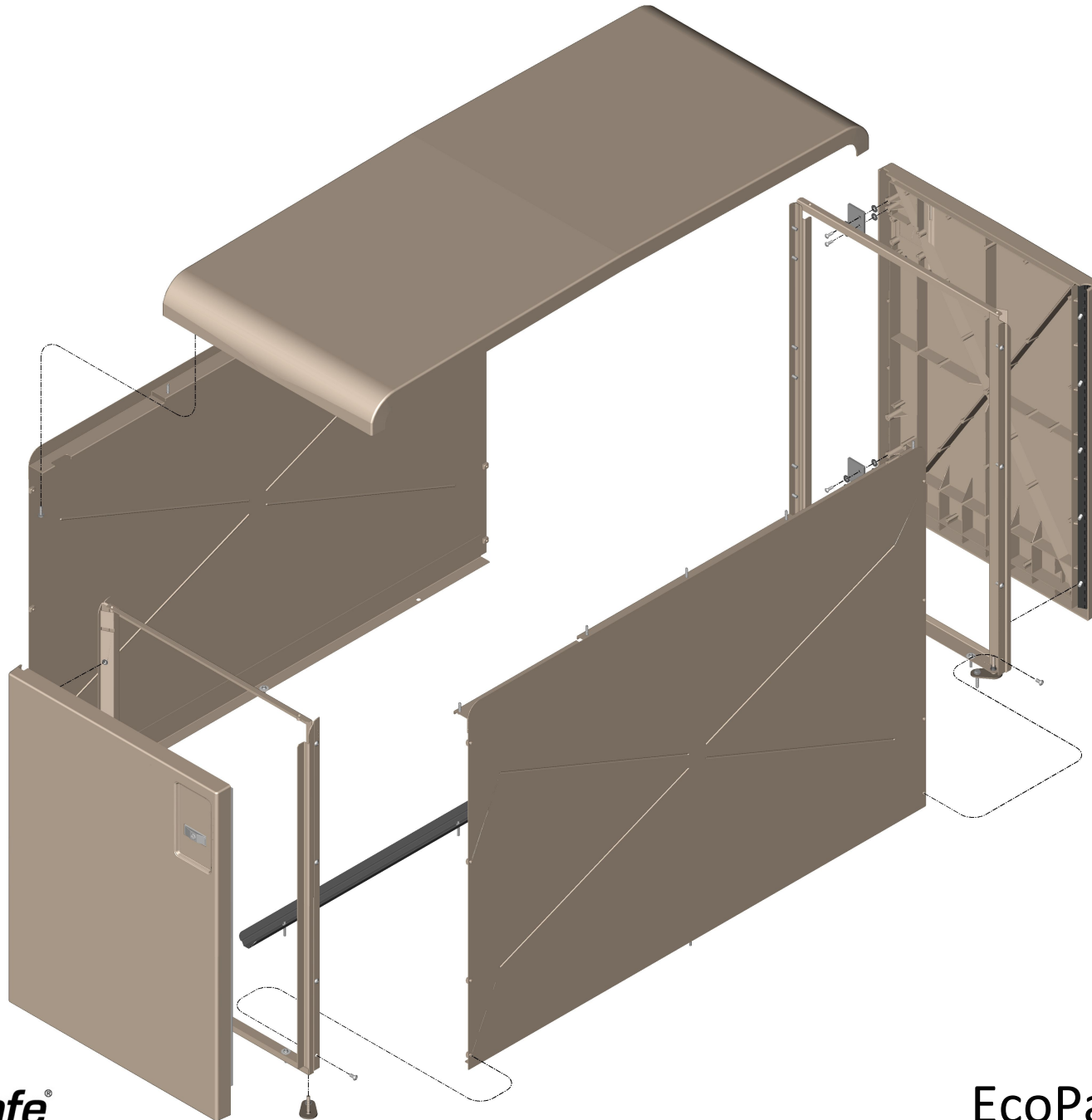
EcoPark SM {S01}
{1-Bike} Standard Locker {Open}

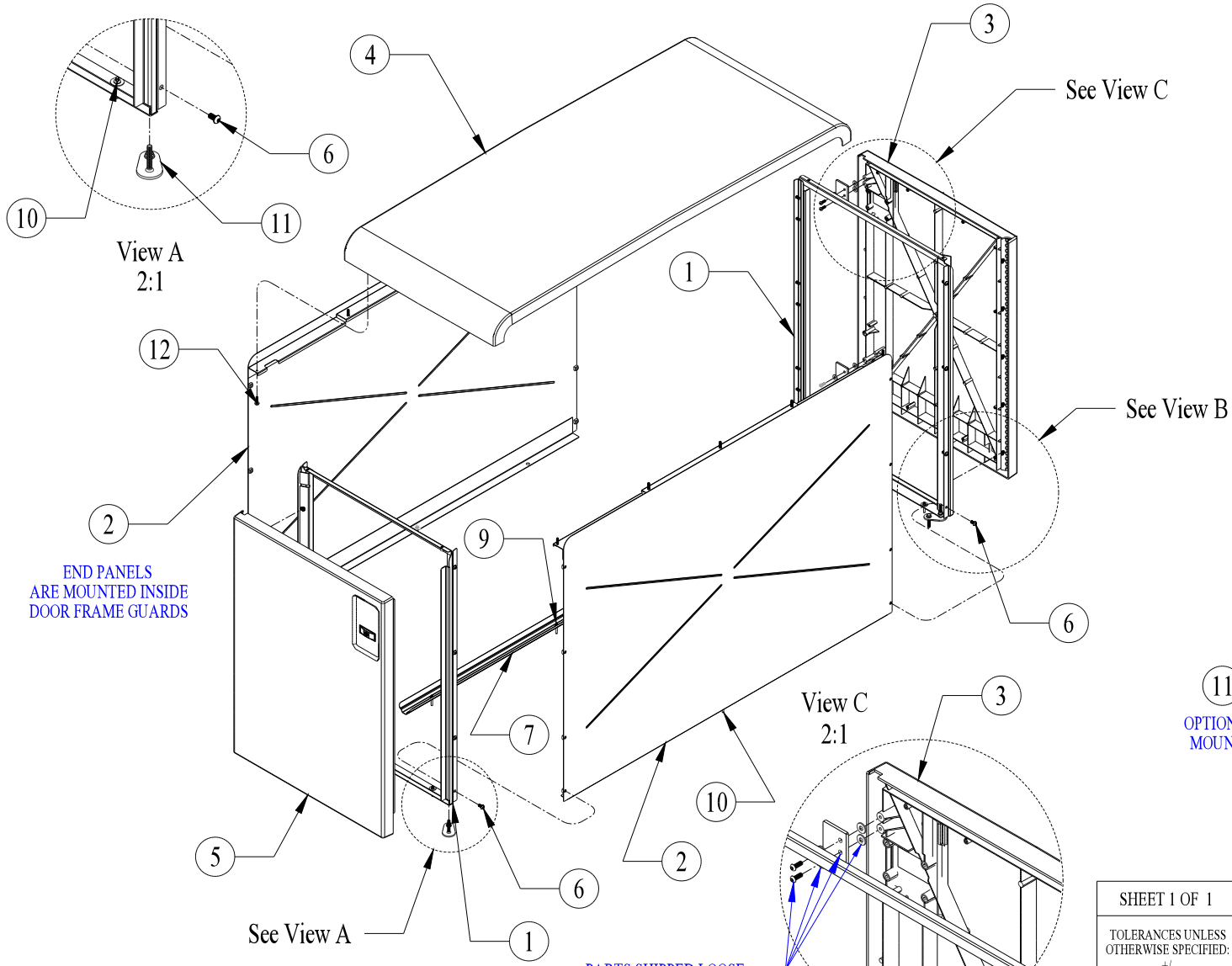
Part #19504



EcoPark SM {S01}
{1-Bike} Standard Locker {Perspective}

Part #19504





END PANELS
ARE MOUNTED INSIDE
DOOR FRAME GUARDS

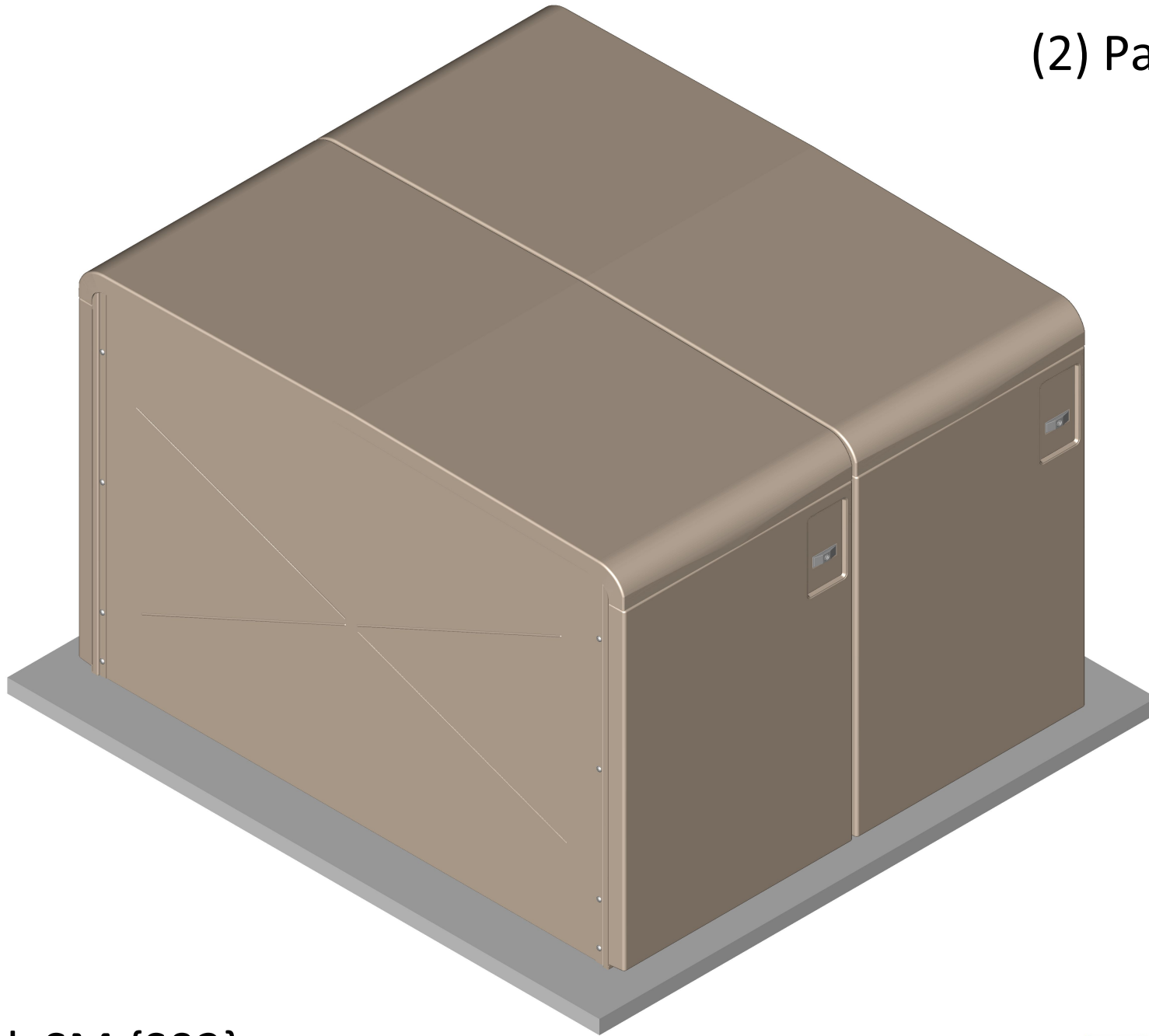
PARTS SHIPPED LOOSE
SEE INSTALL GUIDE FOR
PROPER ATTACHMENT

ITEM	QTY	DESCRIPTION	MATERIAL
1	2	DOOR FRAME ASSEMBLY	19596
2	2	END PANEL WELDMENT	19524
3	1	DOOR PANEL {FIXED}	19532
4	1	TOP PANEL {NO PAINT}	10300
5	1	DOOR PANEL {SM} ASSEMBLY	19525
6	16	3/8-16NC BHCS X 3/4" LG. {ZINC}	19569
7	1	BIKE TRACK	10410
8	10	5/16-18NC BHCS X 3/4" LG. {ZINC}	19581
9	3	DRIVE PIN LAG	19572
10	6	DRIVE PIN LAG KIT {STD}	19571
11	4	ADJ. LEVELER KIT {OPTION}	19575
12	10	5/16-18NC x 1-1/4" LG. HHMS {ZINC}	10222

OPTIONAL
MOUNTS

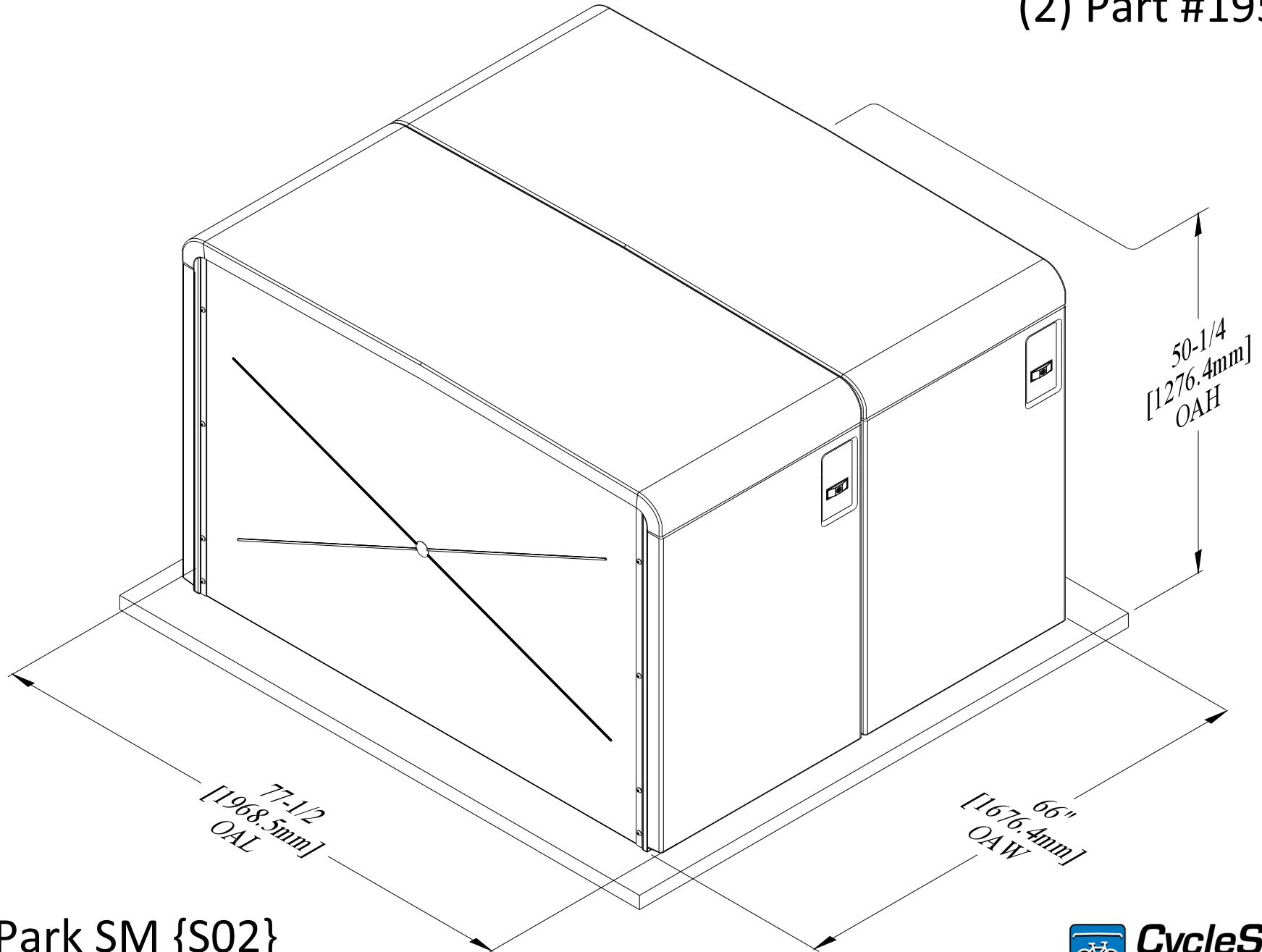
SHEET 1 OF 1		A	RELEASED FOR PRODUCTION	02/19/13
REV	DESCRIPTION	DATE		
ECOPARK ~ SM {S01} LOCKER				
TOLERANCES UNLESS OTHERWISE SPECIFIED:		Cycle Safe 947 FOREST HILL AVE GRAND RAPIDS, MI 49546 www.cyclesafe.com		
.X	.030			
.XX	.010			
.XXX	.005			
ANGLE	1/2°	BOB SLYH	02/19/13	
		CHECKED	DATE	
		APPROVED	DATE	
REV	DESCRIPTION	19504		A
D	{STANDARD} LOCKER {1-DOOR} ASSY			

(2) Part #19504



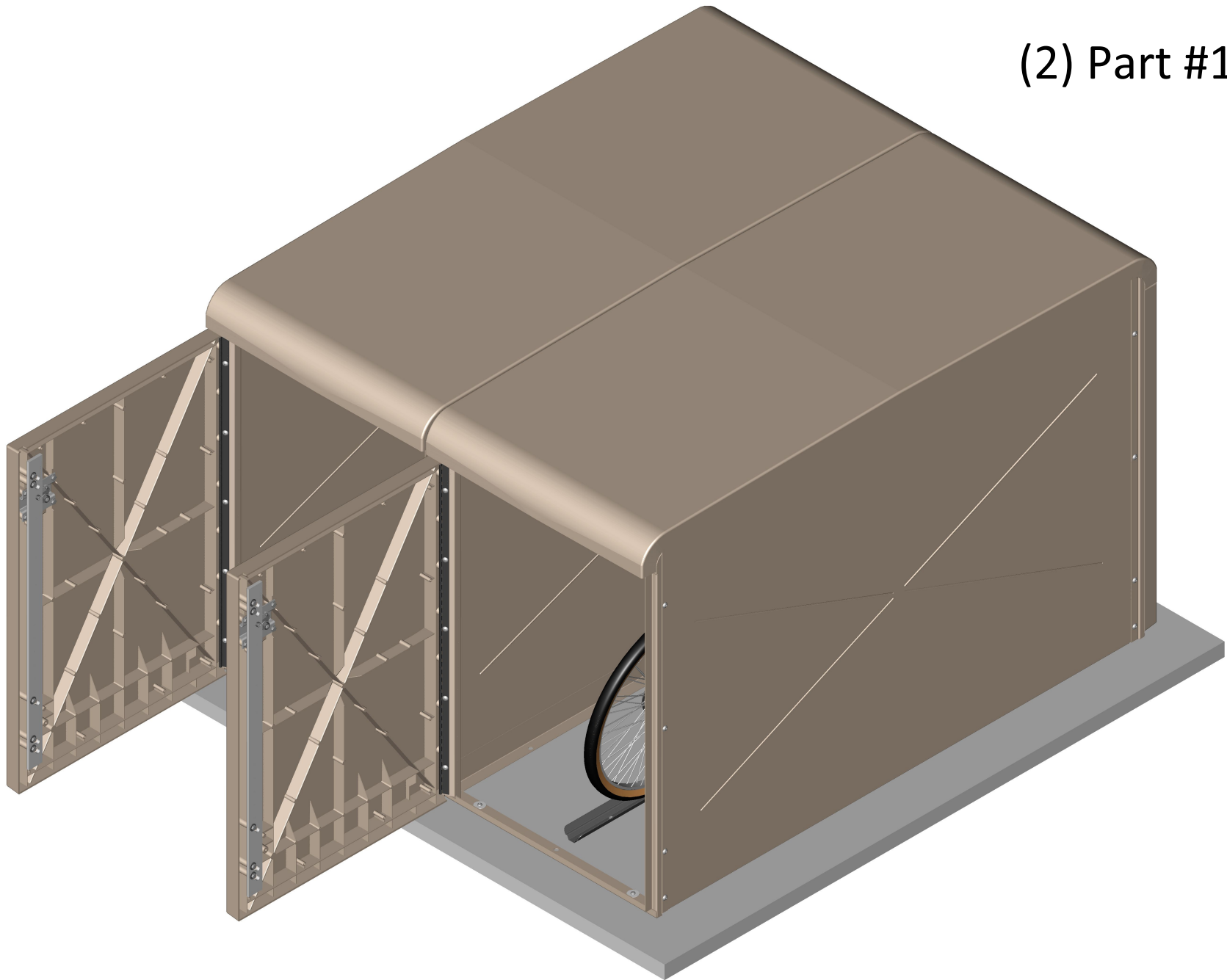
EcoPark SM {S02}
{2-Bike} Standard Locker {Closed}

(2) Part #19504



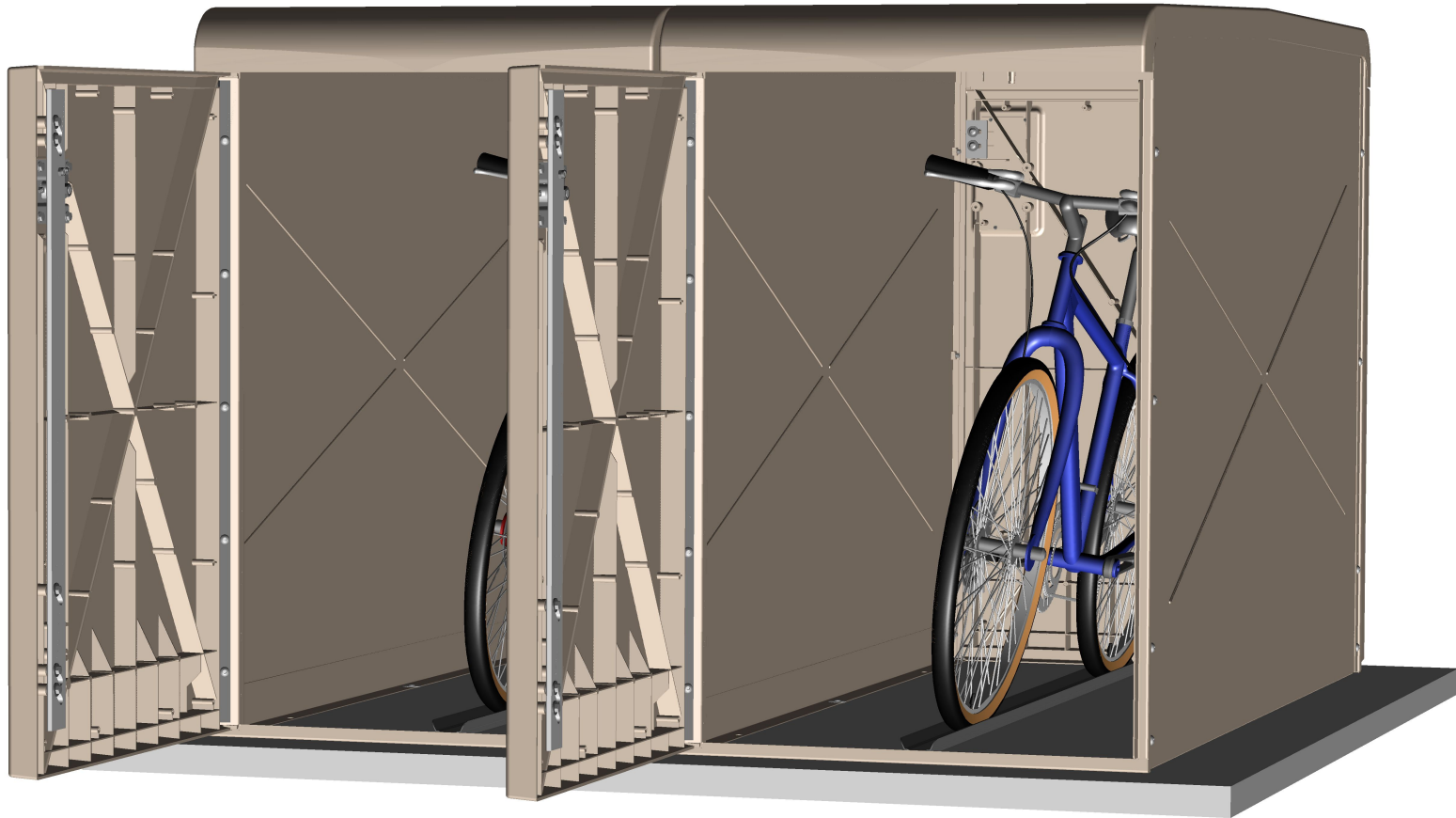
EcoPark SM {S02}
{2-Bike} Standard Locker {Dims}

(2) Part #19504

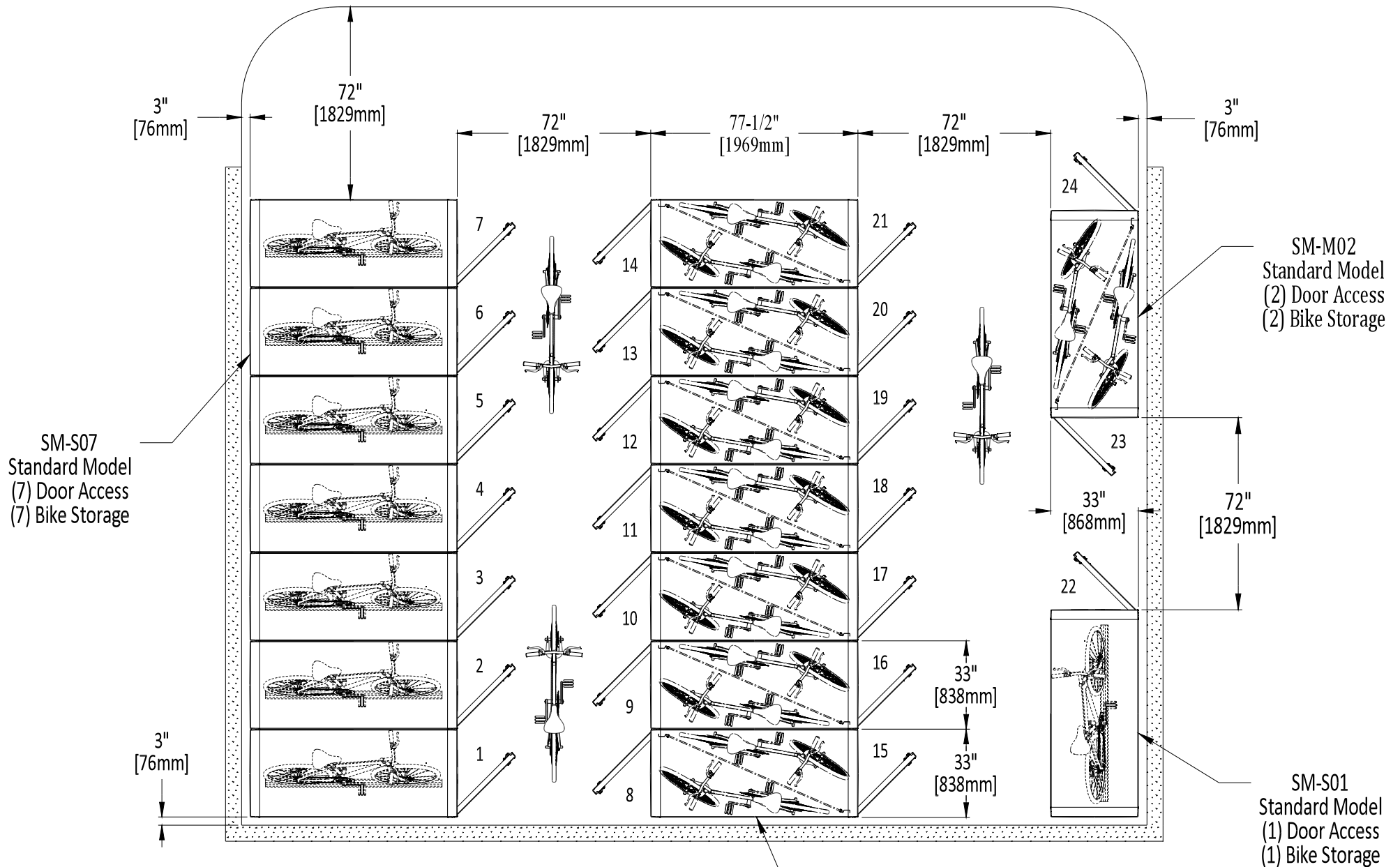


EcoPark SM {S02}
{2-Bike} Standard Locker {Open}

(2) Part #19504



EcoPark SM {S02}
{2-Bike} Standard Locker {Perspective}



CycleSafe {EcoPark} Lockers Locker Clearance & Capacities

SM-M14
Standard Model
(14) Door Access
(14) Bike Storage



www.cyclesafe.com

CycleSafe {EcoPark} SM {1-Door} Bicycle Locker {Measurements}

Part #	Model & Option Description	{Examples}
SM-S01	Standard Model + (1) Door = (1-2) Bike Capacity	
SM-M02	Standard Model + (2) Doors = (2) Bike Capacity	
DV-M02	Door-View + (2) Door Access = (2) Bike Capacity	
SV-M02	Side-View + (2) Door Access = (2) Bike Capacity	
VT-M02	View-Thru + (2) Door Access = (2) Bike Capacity	
DT/SM-M04	Double-Tier + (4) Doors = (4) Bikes Capacity	

Model	Name	Description
SM	Standard	No Windows
DV	Door-View	Windows in Doors "Only"
SV	Side-View	Windows in Sides "Only"
VT	View-Thru	Windows in Doors & Sides
DT	Double-Tier	Stacked Lockers & Spacers

M02 Locker Dims are 50-1/4" OAH x 33" OAW x 77-1/2" OAL

Part Number	(2) Door Model / Number of Bicycles				Shipping Weight	
	SM	DV	SV	VT	LB	KG
M02	02	02			410	186
M04	04	04			820	372
M06	06	06			1230	558
M08	08	08			1640	744
M10	10	10			2050	930
M12	12	12			2460	1116
M14	14	14			2870	1302
M16	16	16			3280	1488
M18	18	18			3690	1674
M20	20	20			4100	1860
M22	22	22			4510	2046
M24	24	24			4920	2232

Part Number	Model	Shipping Weight	
	DT/	LB	KG
M04			
M08			
M12			
M16			
M20			
M24			
M28			
M32			
M36			
M40			
M44			
M48			

Row Length	
IN	CM
33	84
66	168
99	252
132	336
165	420
198	504
231	588
264	672
297	756
330	840
363	924
396	1008

Part Number	(1) Door Option / Number of Bicycles				Shipping Weight	
	SM	DV	SV	VT	LB	KG
S01	01	01			375	170
S02	02	02			750	340
S03	03	03			1125	510
S04	04	04			1500	680
S05	05	05			1875	850
S06	06	06			2250	1020
S07	07	07			2625	1190
S08	08	08			3000	1360
S09	09	09			3375	1530
S10	10	10			3750	1700
S11	11	11			4125	1870
S12	12	12			4500	2040

Part Number	Model	Shipping Weight	
	DT/	LB	KG
S02			
S04			
S06			
S08			
S10			
S12			
S14			
S16			
S18			
S20			
S22			
S24			

Row Length	
IN	CM
33	84
66	168
99	252
132	336
165	420
198	504
231	588
264	672
297	756
330	840
363	924
396	1008